

MODEL 142 SERIES

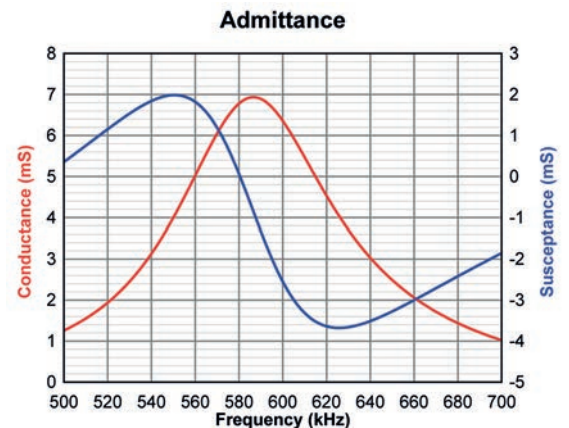
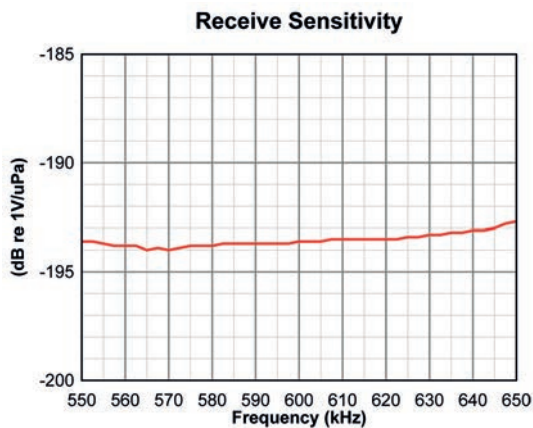


- **MULTIPLE FREQUENCY OPTIONS**
- **FISHING, NAVIGATION & SURVEYING**
- **HULL OR OVER-SIDE MOUNTING**
- **LOW SIDE-LOBES**
- **ROBUST NYLON HOUSING**

Available in a multiple frequencies, the 142 SERIES transducers are intended for short range, narrow beam echo-sounding applications. The 142 SERIES transducers are designed to be compatible with a wide range of echo-sounder models. It is also possible to modify the impedance to match any customer values with a simple factory adjustment to the

integral transformer. The high impact strength nylon body provides a mechanically robust, corrosion free transducer designed for thru-hull, tank or over-side mounting.

The 142 SERIES is available with or without acoustic calibration, traceable to National Standards.

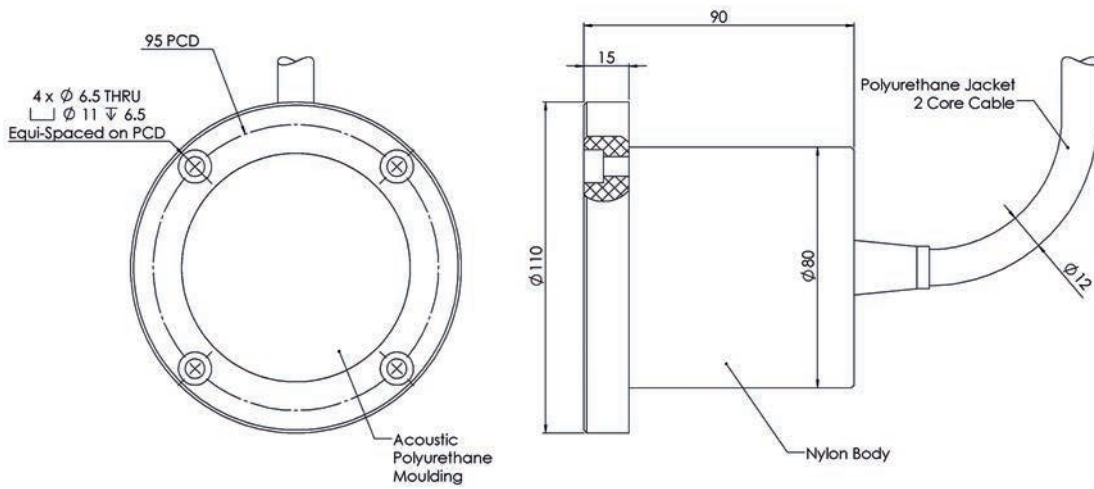


TECHNICAL SPECIFICATION

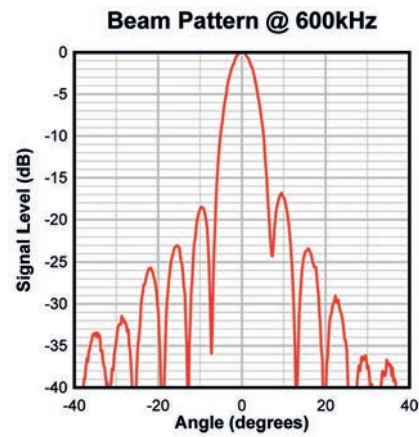
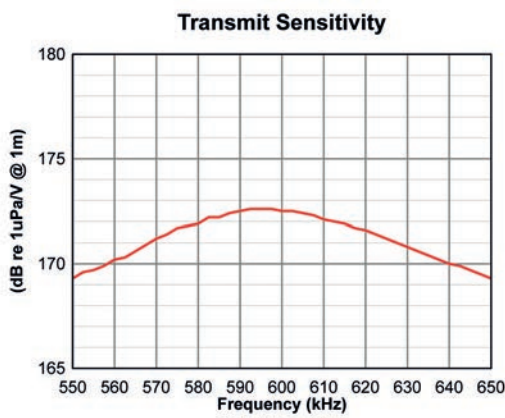
Frequency Options	160	200	210	300	600	kHz
Beam Angle (-3dB)	12	8	7.5	7	5	Degrees Conical
Transmit Sensitivity	173	170	170	172	172	dB re 1μPa/V @ 1m
Receive Sensitivity	-191	-193	-193	-193	-193	dB re 1V/μPa
Transmit Voltage / Duty Cycle (Abs. Max)	150	150	175	150	150	Vrms at 10%
Bandwidth	25	15	15	45	90	kHz
Nominal Impedance	70	70	100	75	75	Ohms

Transducer impedance can be adjusted to suit customers specification

MODEL 142 SERIES



All dimensions in mm



MECHANICAL SPECIFICATION

Operating Depth	300m
Weight Air/Water including 10m cable	2.3 kg / 0.6 kg
Operating Temperature	-5 to +40 °C
Storage Temperature	-40 to +80 °C
Cable Type	Ø12mm Polyurethane Jacket, Screened Twisted Pair
Cable Length	10m Standard (Additional lengths supplied to order)
Connector	Not fitted as standard (Optional Customer Specific)