

# MODEL T400

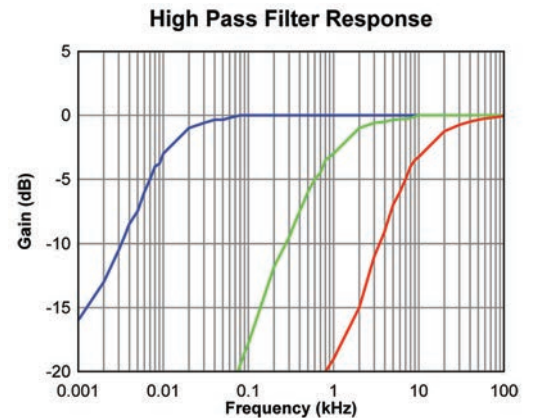
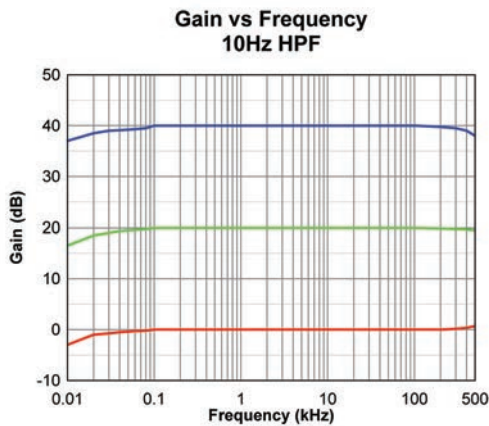


- **SURFACE RECEIVER UNIT**
- **DIFFERENTIAL INPUT**
- **SINGLE ENDED OUTPUT**
- **GAIN/FILTER SWITCH**
- **HEADPHONE OUTPUT**

The T400 Surface Receiver is designed to interface to Neptune’s hydrophones that include integral pre-amplifiers.

The pre-amplifier has selectable gain options of 0, 20 and 40 dB and high-pass filter options of 10 Hz, 1 kHz and 10 kHz.

The hydrophone signal is converted from a differential to single ended output, with a standard BNC connector.

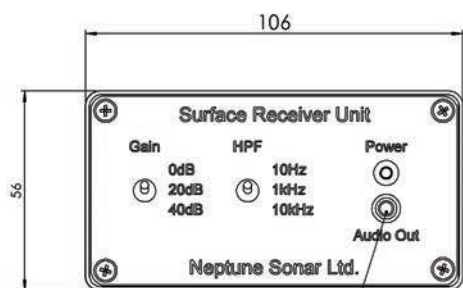


## TECHNICAL SPECIFICATION

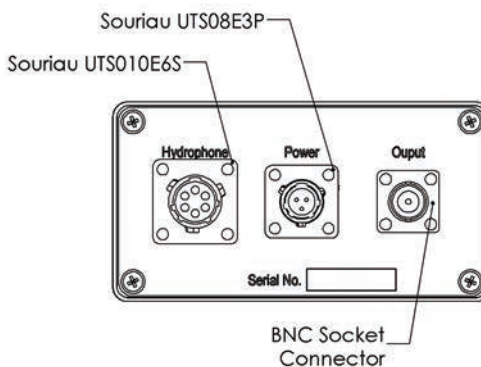
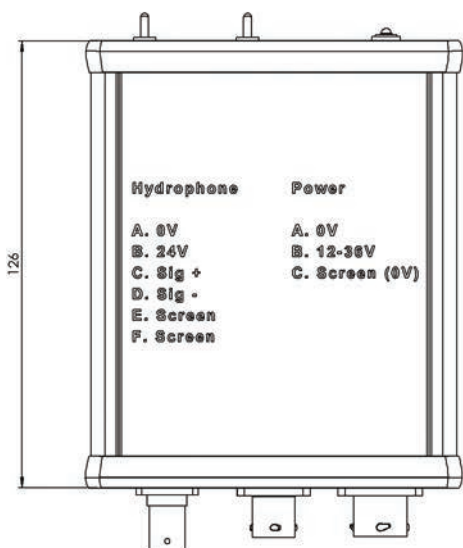
Usable Frequency Range	5 Hz to 500 kHz
Gain Settings	0, 20 and 40 dB
High-Pass Filter Settings	10 Hz, 1 kHz and 10 kHz
Power Supply (Input)	24 Vdc Nominal (12 to 36 Vdc) 15 mA quiescent, 40 mA with hydrophone 150 mA (max) signal and load dependant
Input	Differential, 10kΩ Impedance
Output	BNC - Single Ended, 50Ω Impedance 3.5mm Jack - Headphones
Noise	<20nV/√Hz RTI

# MODEL T400

## MECHANICAL SPECIFICATION



3.5mm 3 Way Phono



BNC Socket Connector	
Pin	Function
Centre	Single ended signal
Outer	GND

Power - Souriau UTS08E3P		
Pin	Wire Colour	Function
A	Green/Screen	0V/GND
B	Red	+24V DC
C	Green/Screen	0V/GND

Hydrophone - Souriau UTS010E6S		
Pin	Wire Colour	Function
A	Blue/Screen	GND
B	Red	TXDR V+
C	White	Sig -
D	Orange	Sig +
E	Blue/Screen	GND
F	Blue/Screen	GND

All dimensions in mm

## SUPPLIED WITH

Power Cable	2m, Souriau UTS6JC8E3S to bare end
Hydrophone Connector	Souriau UTS6JC10E6P (Fitted to hydrophone cable if purchased together)