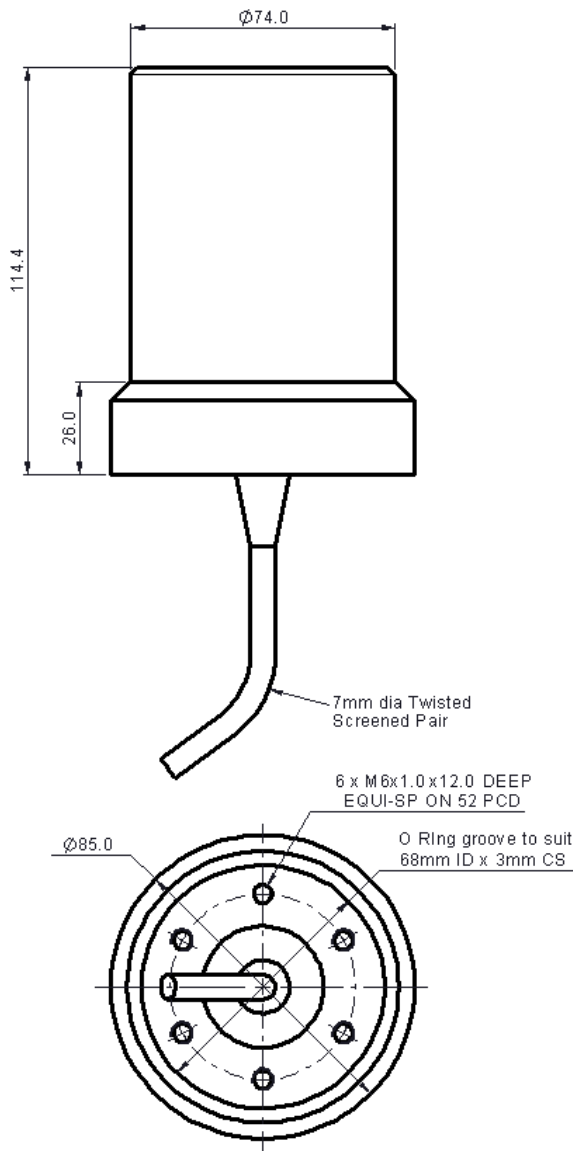
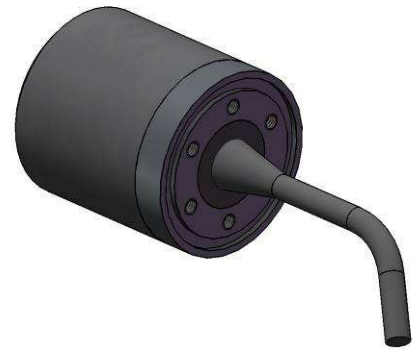


- 17 KHZ CYLINDRICAL TRANSDUCER
- BROAD BAND TRANSMISSION
- TRANSPONDER
- RANGE TRACKING
- COMMUNICATIONS



All dimensions in mm

The Type T235 is one of a series of underwater transducers available from Neptune that are designed for use in transponders, beacons, acoustic release mechanisms and data communication systems.

This versatile transducer combines efficient broad band transmission and reception suited to submarine range tracking applications on underwater trials ranges.

This transducer has also been successfully selected for a recent system development for a mammal acoustic deterrent device.

The nylon base incorporates threaded fastenings and an 'O' ring seal allowing simple and direct mounting onto equipment or pressure housings. Electrical connection is via a twisted screen pair cable.

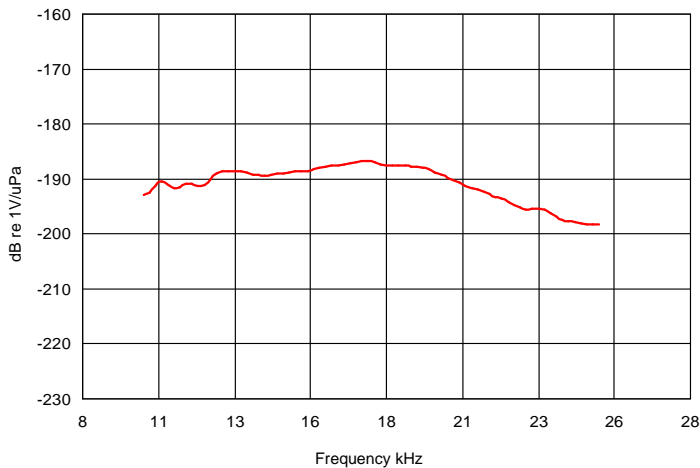
MODEL T235

Communication Transducers

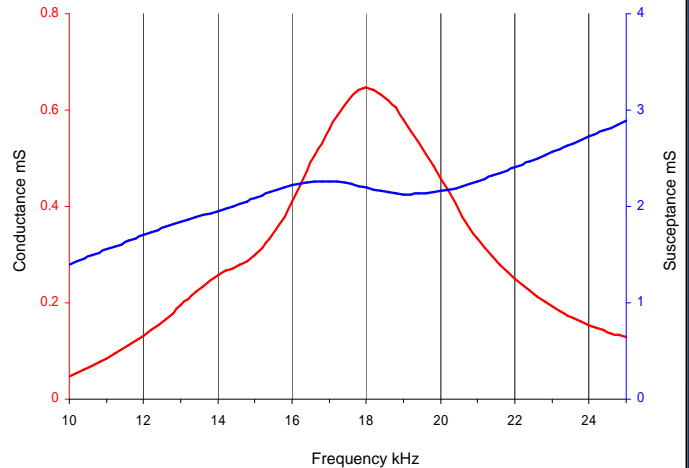
Technical Specification

Resonant Frequency	17kHz (Nominal)
Useful Frequency Band	10 kHz to 25 kHz
Horizontal Beam Pattern	Omni ± 2 dB up to 25 kHz
Vertical Beam Pattern	Toroidal
Impedance at Resonance	1800 Ohms
Input Power Max	500 Watts pulsed
Operating Depth	1500 Metres
Base Material	Nylon or Anodised Aluminium
Cable Type	Polyurethane $\varnothing 7$ mm 2 Core Screened
Cable Length	3 Metres Standard Additional Lengths supplied to order
Storage Temperature	-40 to +80 °C
Operating Temperature	-5 to +70 °C

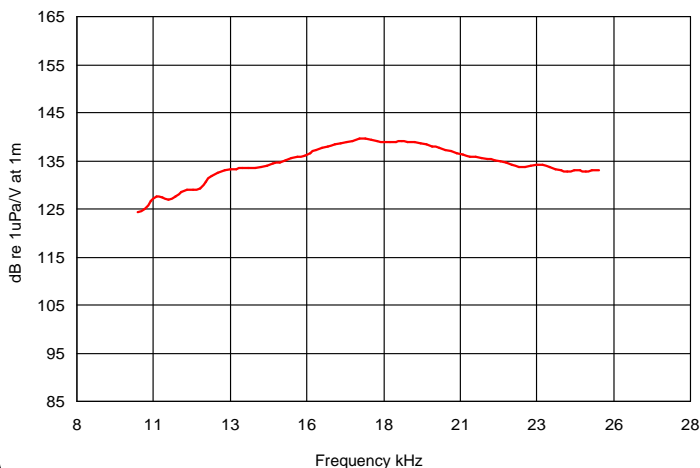
Receive Graph



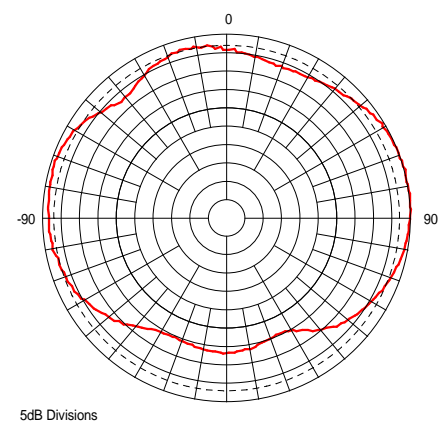
Admittance Plot



Transmit Graph



Beam Pattern Vertical at 17 kHz



Data illustrated is taken from actual in-water measurements