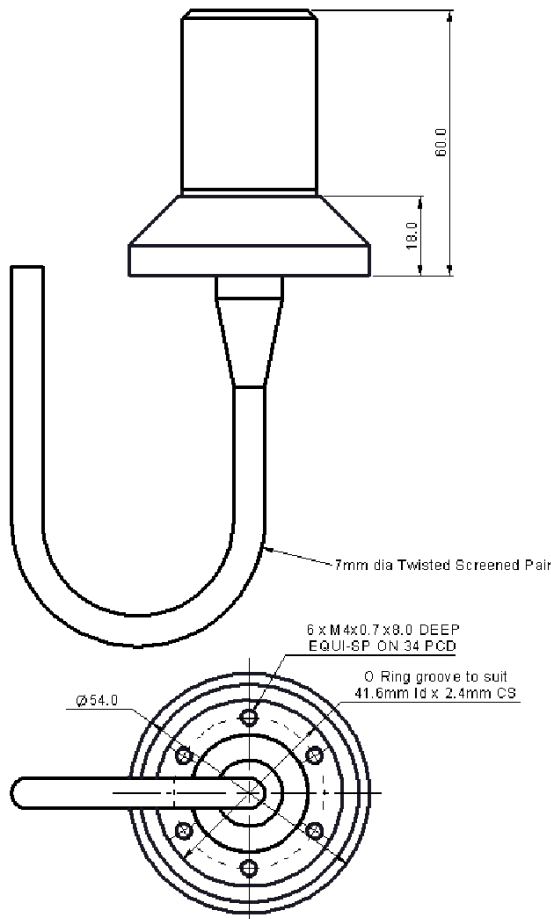


- 58 KHZ CYLINDRICAL TRANSDUCER
- BROAD BAND TRANSMISSION
- TRANSPONDER
- RANGE TRACKING
- COMMUNICATIONS



All dimensions in mm

The Type T226 is one of a series of underwater transducers available from Neptune that are designed for use in transponders, beacons, acoustic release mechanisms and data communication systems.

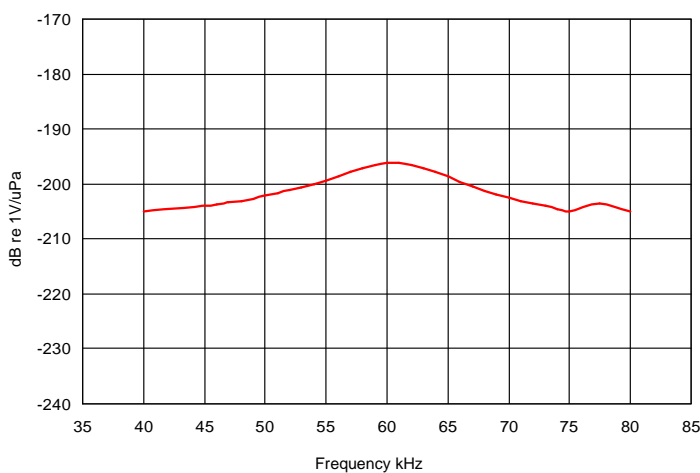
This versatile transducer combines efficient broad band transmission and reception suited to tracking applications on underwater vehicles and range trials .

The anodised aluminium base incorporates 6 x M4 tapped holes and an 'O' ring seal allowing simple and direct mounting onto equipment or pressure housings, Electrical connection is via a twisted screen pair cable.

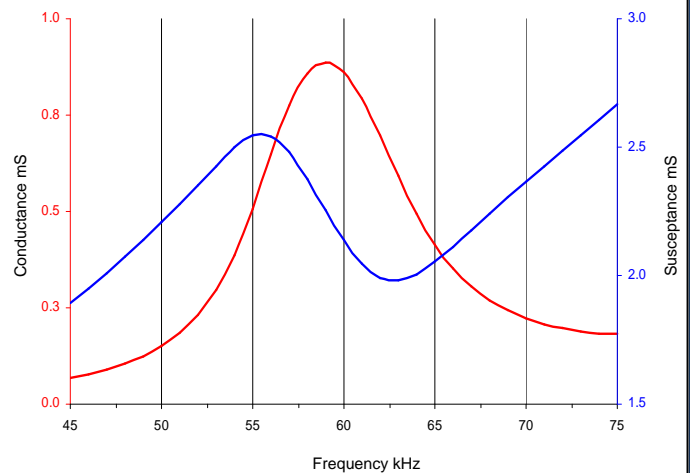
Technical Specification

Resonant Frequency	59 kHz (Nominal)
Useful Frequency Band	45 kHz to 75 kHz
Horizontal Beam Pattern	Omni ± 2 dB up to 70 kHz
Vertical Beam Pattern	Toroidal
Impedance at Resonance	1030 Ohms
Input Power Max	225 Watts pulsed
Operating Depth	1500 Metres
Base Material	Anodised Aluminium
Cable Type	Polyurethane $\varnothing 7$ mm 2 Core Screened
Cable Length	3 Metres Standard Additional Lengths supplied to order
Storage Temperature	-40 to +80 °C
Operating Temperature	-5 to +70 °C

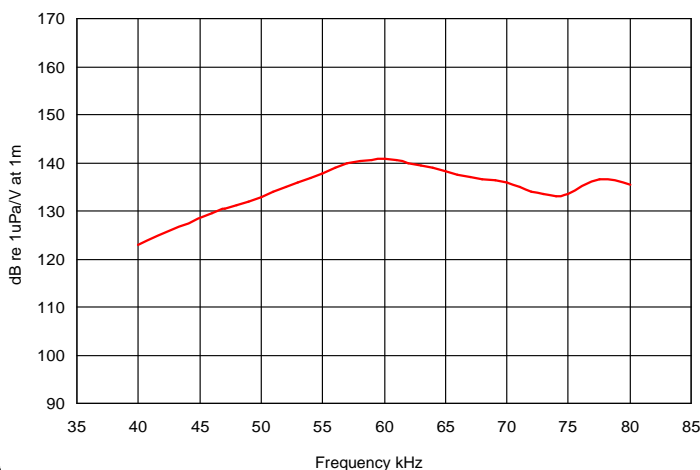
Receive Graph



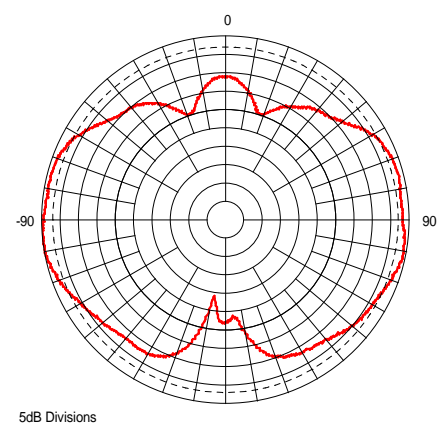
Admittance Plot



Transmit Graph



Beam Pattern Vertical at 59 kHz



Data illustrated is taken from actual in-water measurements