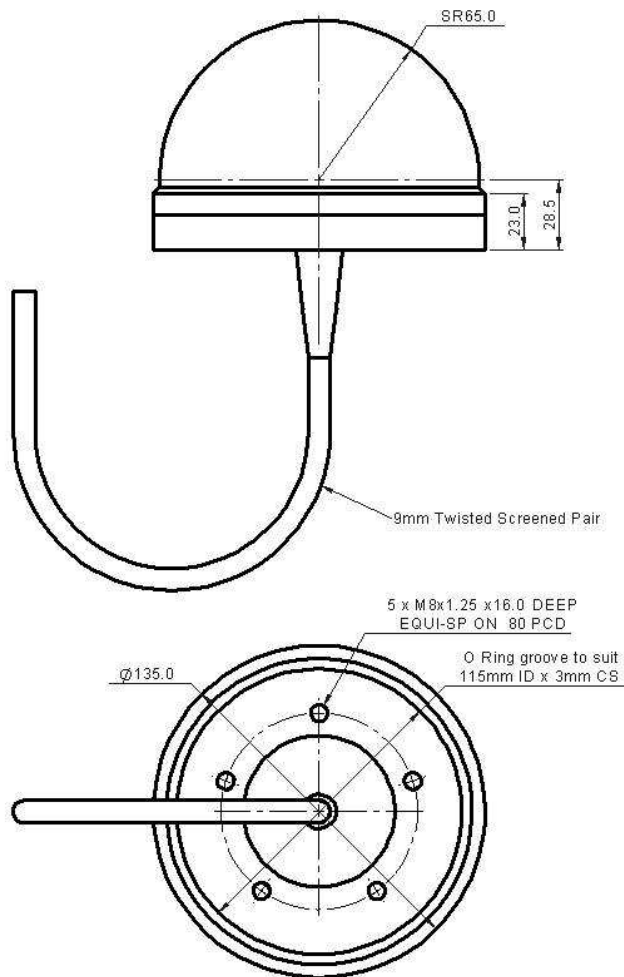


- HEMISPHERICAL BEAM PATTERN
- BROAD BAND TRANSMISSION
- DEEP WATER CAPABILITY
- TRANSPONDER
- RANGE TRACKING
- COMMUNICATIONS



All dimensions in mm

The T218 is one of a group of transducers available from Neptune that have been designed for use in transponder beacons, tracking systems, acoustic release mechanisms and data communication systems.

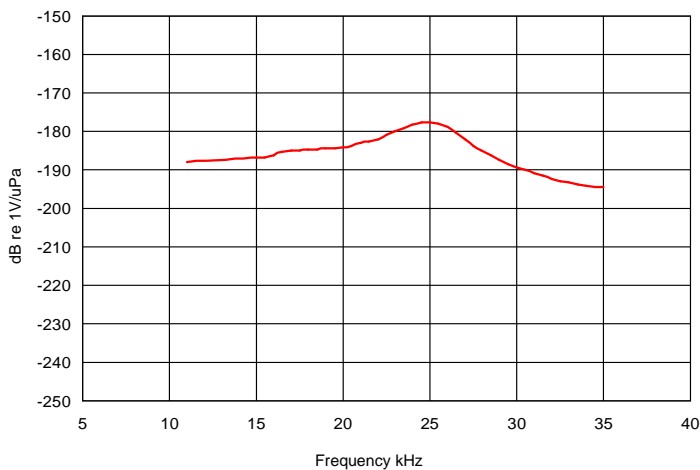
A versatile transducer the T218 combines efficient broadband transmission and reception with an almost hemispherical beam pattern.

The all moulded construction achieves a design that is compact, lightweight and robust.

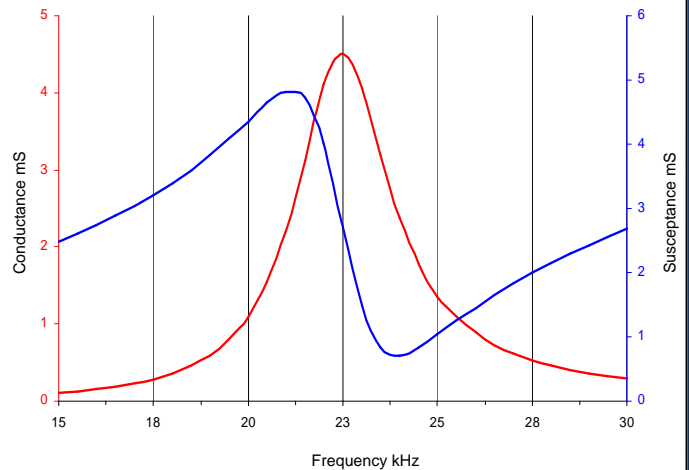
### Technical Specification

Resonant Frequency	22 kHz (Nominal)
Useful Frequency Band	16 kHz to 30 kHz
Horizontal Beam Pattern	Omni $\pm 2$ dB up to 35 kHz
Vertical Beam Pattern	Hemispherical
Impedance at Resonance	320 Ohms
Input Power Max	1200 Watts pulsed
Operating Depth	6000 Metres
Base Material	Anodised Aluminium
Cable Type	Polyurethane $\varnothing 9$ mm 2 Core Screened
Cable Length	3 Metres Standard Additional lengths supplied to order
Storage Temperature	-40 to +80 °C
Operating Temperature	-5 to +70 °C

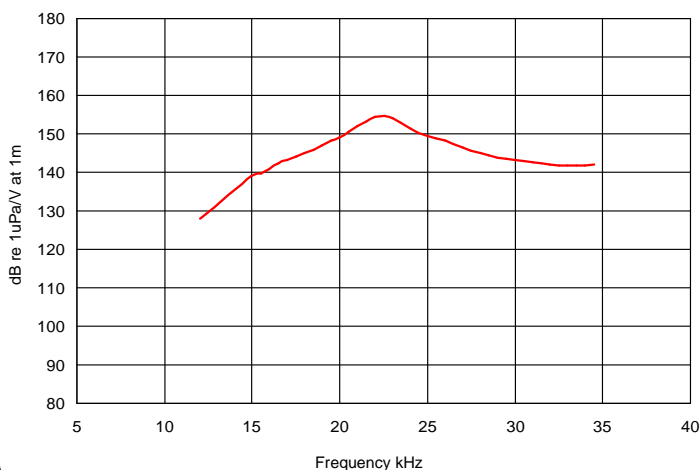
Receive Graph



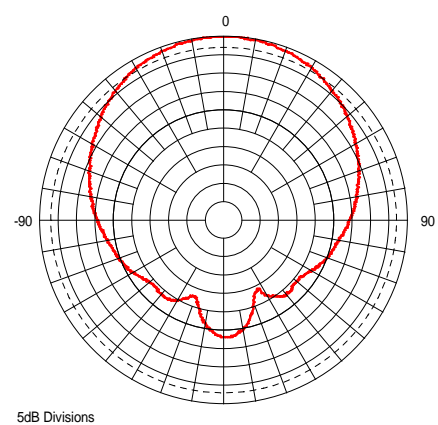
Admittance Plot



Transmit Graph



Beam Pattern Vertical at 22 kHz



Data illustrated is taken from actual in-water measurements